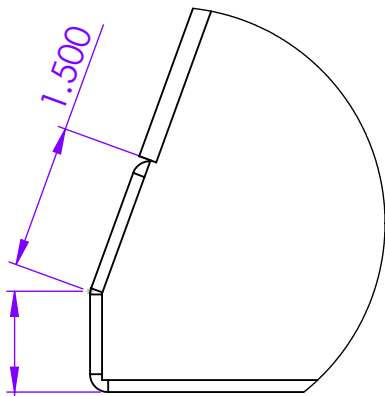
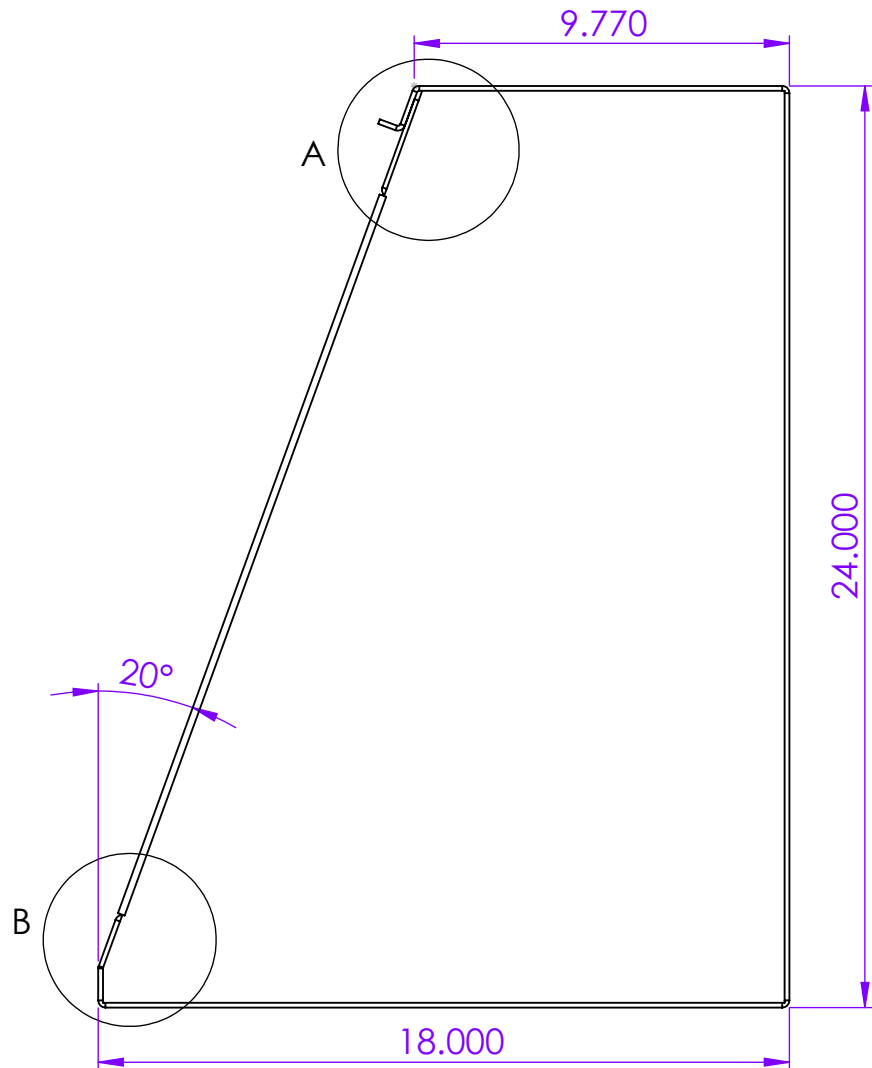


DETAIL A
SCALE 1 : 2



DETAIL B
SCALE 1 : 2



UNLESS OTHERWISE SPECIFIED:		NAME	DATE	EXPRESS CUSTOM MFG.	
DIMENSIONS ARE IN INCHES		MODEL	S	12/19/2012	TITLE: SKID BOX IDR
TOLERANCES: ± .01		DRAWING	S	3/13/2013	
FRACTIONAL ±.1		REVISION	S	4/19/2016	
ANGULAR: MACH ±.1 BEND ± TWO PLACE DECIMAL .01 ± THREE PLACE DECIMAL .001 ±		MFG APPR.			
INTERPRET GEOMETRIC TOLERANCING PER:		Q.A.			SIZE DWG.# SKID BOX A IDR ASLB REV 1.1
MATERIAL 1/8"5052-H32 ALUMINUM		COMMENTS:		SCALE: N/A WEIGHT:	
FINISH CLEAN		QUANTITY: X1		SHEET 1 OF 7	
DO NOT SCALE DRAWING					

PROPRIETARY AND CONFIDENTIAL
THE INFORMATION CONTAINED IN THIS DRAWING IS THE SOLE PROPERTY OF EXPRESS CUSTOM MFG. ANY REPRODUCTION IN PART OR AS A WHOLE WITHOUT THE WRITTEN PERMISSION OF EXPRESS CUSTOM MFG. IS PROHIBITED.